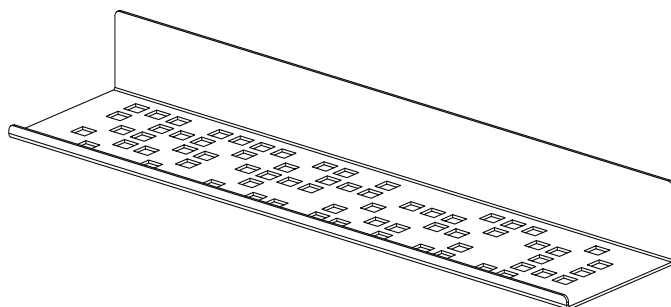


Pixel Shelf

400 mm

2021-02-09



INSTALLATION GUIDE

2900 3020

TYLÖ®

How to install the Pixel Shelf

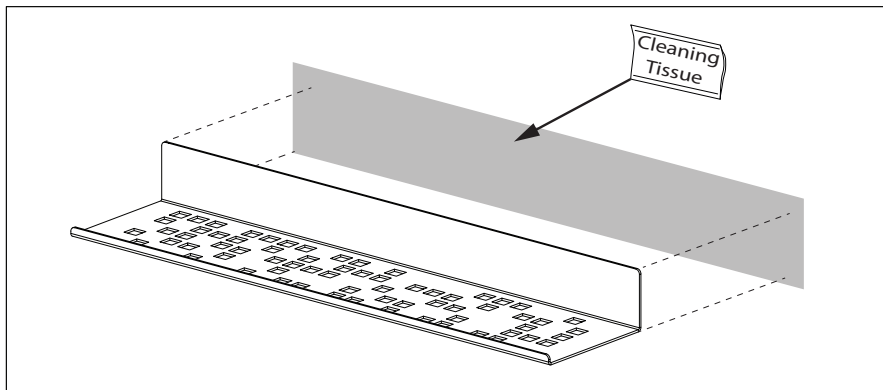


Figure 1:
Clean the glass with the cleaning tissue.

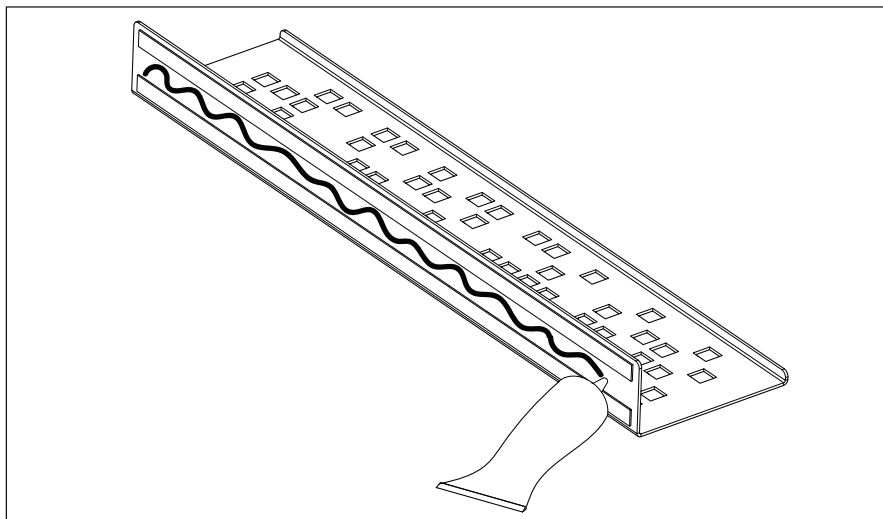


Figure 2:
Put silicone in between the adhesive

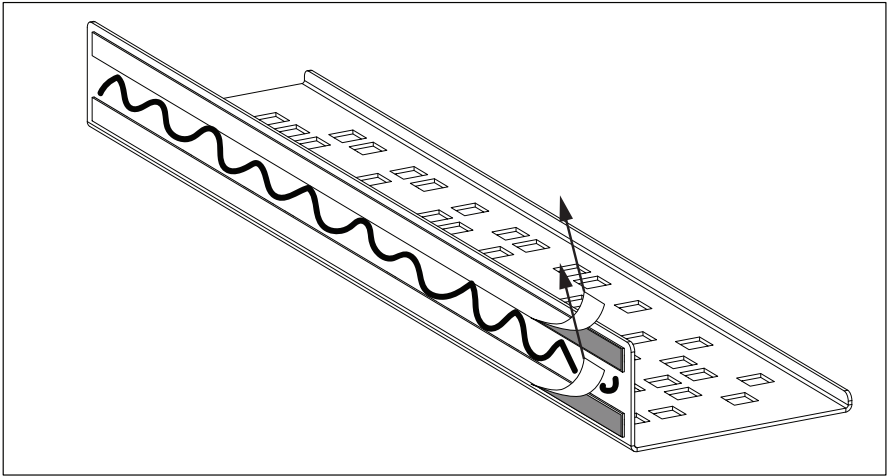


Figure 3:
Take away the cover of the adhesive

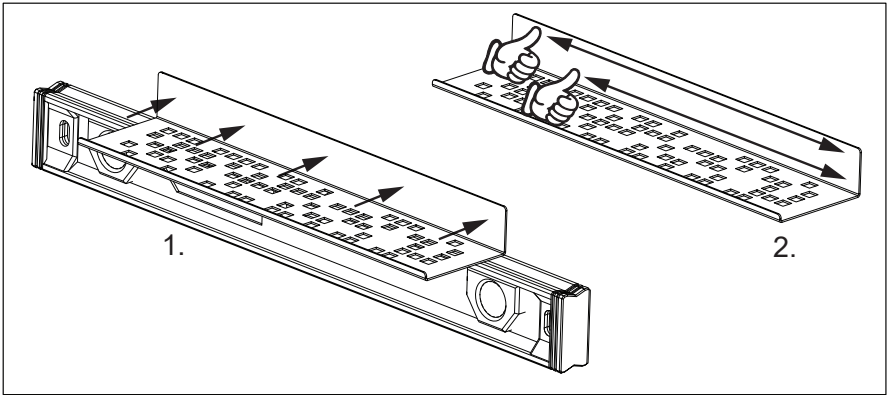


Figure 4:
1. Press the shelf in place.
2. Press hard on the whole length with your thumb on both the upper and lower adhesive.

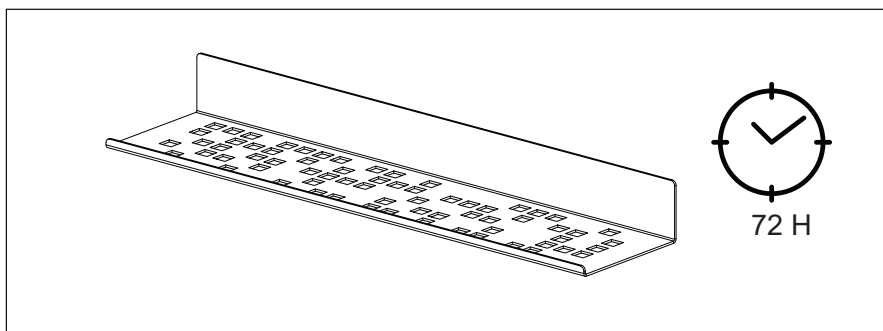


Figure 5:
Wait 72 hours for maximum strength before apply any load.

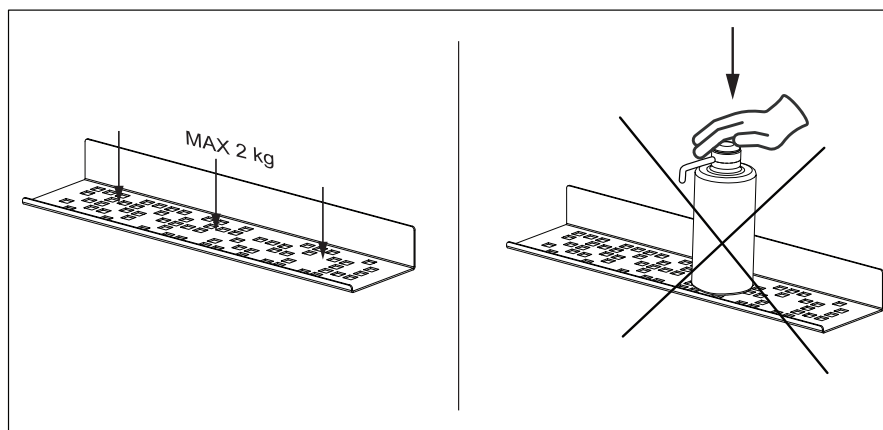


Figure 6:
Maximum load is total 2 kg and do not use hand soap dispensers

Clean the shelf with a cloth, water and bathroom cleaner

TYLO[®]
for the senses

For other languages please contact marketing@tylohelo.com