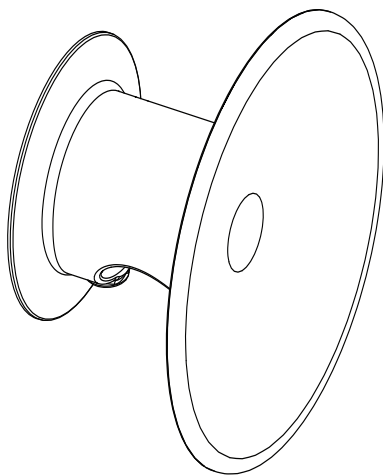


STEAM OUTLET

Essential

2020-06-22



INSTALLATION GUIDE

2900 4140

TYLÖ[®]
for the senses

PRIOR TO INSTALLATION

Parts

Check that the following parts are included in the packaging:

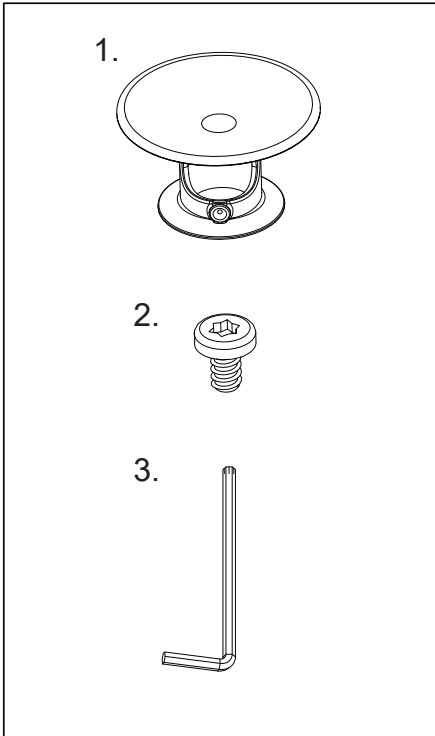


Figure 1: Steam Outlet Essential parts

- | | |
|---------------------------|-----|
| 1. Steam Outlet Essential | x 1 |
| 2. Screw | x 1 |
| 3. Torx Key | x 1 |

Contact your dealer if anything is missing.

Installation

Steam outlet Essential is a basic steam outlet in Polyamid (plastic) intended for private use. This product will need to be replaced over time depending how much it is used. For commercial use install Steam Outlet Bahia Pro.

This products warranty covers only manufacturing or faulty parts.

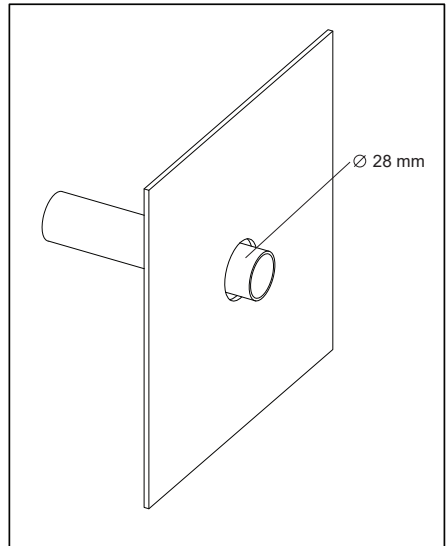


Figure 2: Step One

Steam outlet Essential should be connected to an one inch pipe (1") (28 mm outer diameter) to optimize the flow and reduce the noise.

Mount and fixate the pipe trough the wall with all necessary water seals.

Mount the pipe 200-300 mm from the floor.

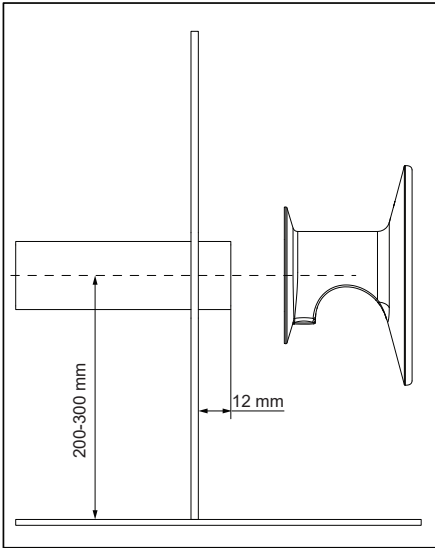


Figure 3: Step Two

Cut the pipe 12 mm from the wall to the end of the pipe.

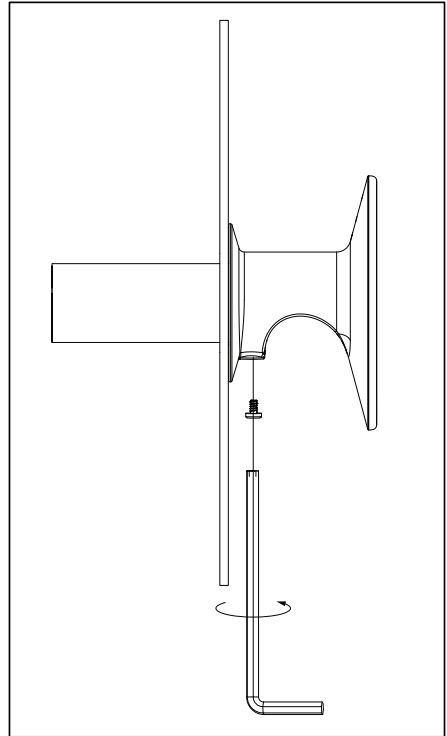


Figure 5: Step Four

Lock the outlet with the screw

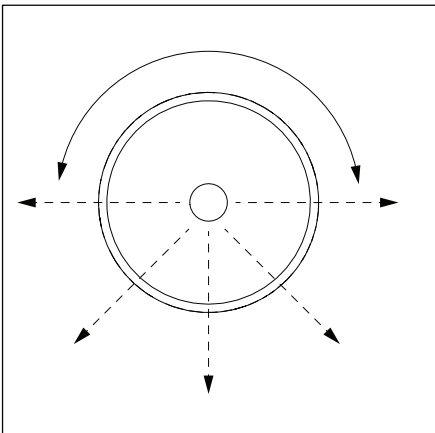


Figure 4: Step Three

Turn the outlet to be able to direct the steam away from seatings (burn risk) or delicate materials. If you have a delicate floor/wall material protect it with a tempered glass surface.

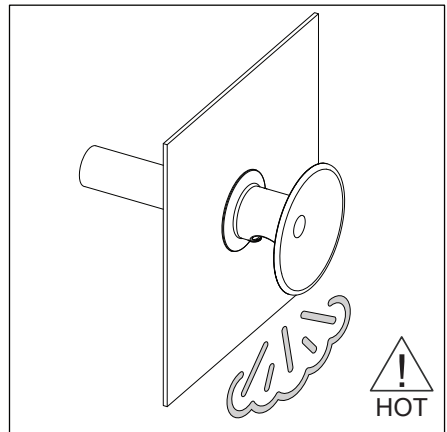


Figure 6: Ready for steam

TYLÖ®
for the senses

For other languages please contact marketing@tylohelo.com