

Technical Data Sheet

CODE 17143

LINEO 100 Q

Mixed flow extractor fans

Abisco
Partner in Wellness



Certifications



IMQ Performance

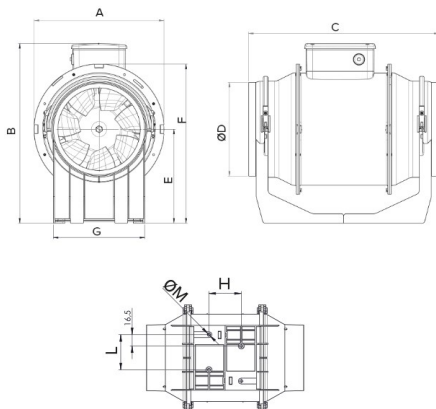


UKCA

TECHNICAL AND PERFORMANCE DATA

Absorbed power 1st speed (W)	12	Delivery 1st speed (l/s)	43,1
Absorbed Power max (W)	15	Delivery 1st speed (m ³ /h)	155
Frequency (Hz)	50	Max delivery at max speed (l/s)	55,6
Insulation Class	II ^o	Max delivery at max speed (m ³ /h)	200
IP	44	Pressure - 1st speed (mmH2O)	6,5
Max ambient temperature for continuous operation (°C)	60	Pressure - 1st speed (Pa)	63,8
Max. absorbed Current at max. speed (A)	0,07	Pressure max - max speed (mmH2O)	7,5
Max. absorbed Current at min. speed (A)	0,05	Pressure max - max speed (Pa)	73,6
Nominal Diameter (mm)	100	RPM max	2450
Voltage (V)	220-240	RPM min	1860
Weight (Kg)	1,25	Sound pressure level Lp [dB (A)] 3m - max speed	37,9
		Sound pressure level Lp [dB (A)] 3m - min speed	29,4

DIMENSIONS



Size A (mm)	156
Size B (mm)	174
Size C (mm)	231
Size D (mm)	∅ 96
Size E (mm)	82
Size F (mm)	152
Size G (mm)	95
Size H (mm)	51,5
Size L (mm)	47,5
Size M (mm)	4,5

Technical Data Sheet

CODE 17143

LINEO 100 Q

Mixed flow extractor fans



DESCRIPTION

- Enclosures made of fire resistant plastic resin, E2 class, according with ISO EN 11925-2: 2010, in areas close to motor and electrical components.
- Nominal diameter 100 mm.
- Induction motor, thermally protected, with shaft mounted on ball

- bearing supports, coupled with a centrifugal impeller.
- High water resistance: IPX5 (if installed in a duct).
- Speed adjustable through Vortice speed devices.

CURVES

