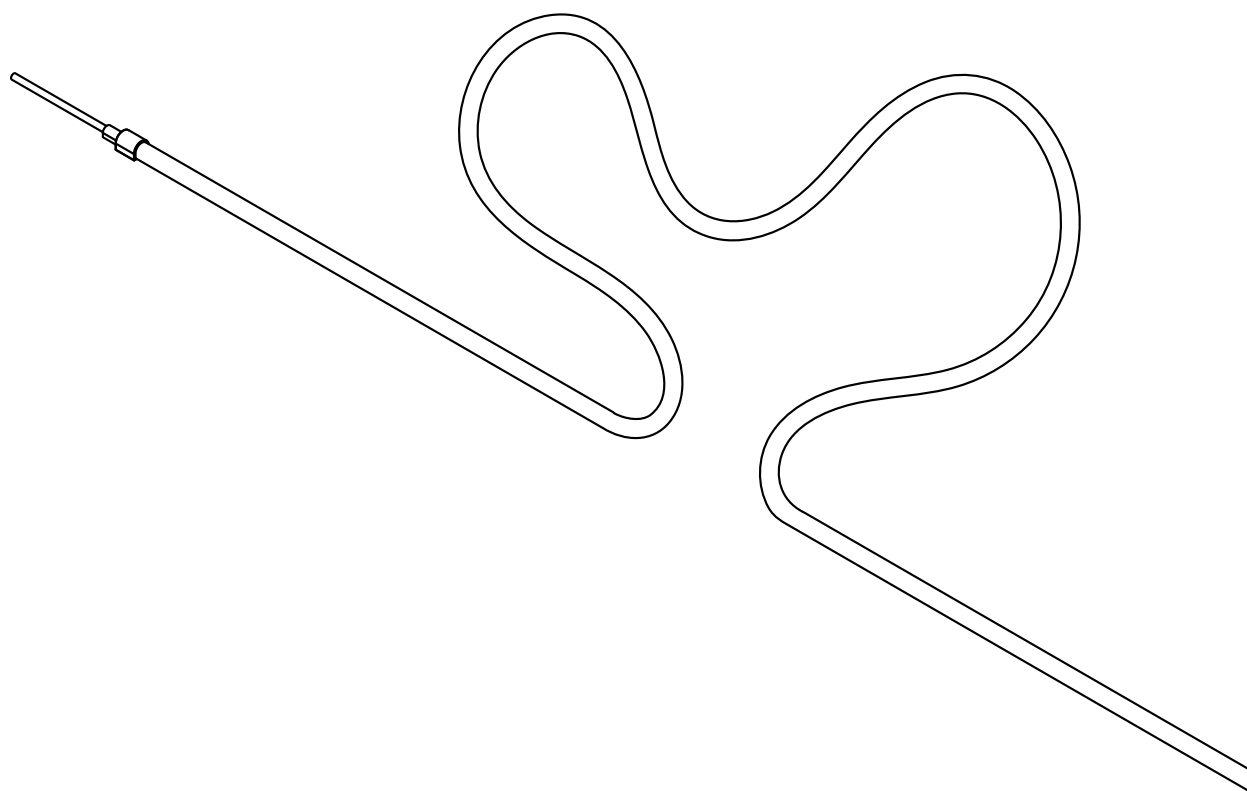


Sauna Proof

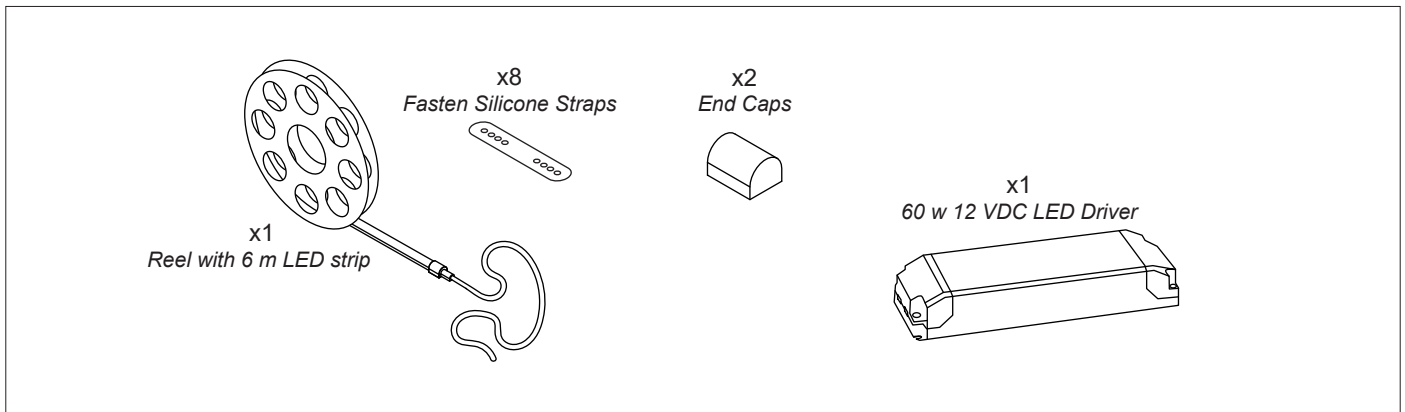
# NEON LED STRIP 6 m

60 W LED-driver included



## Installation instruction

## The parts of Sauna Proof NEON LED strip 6 m

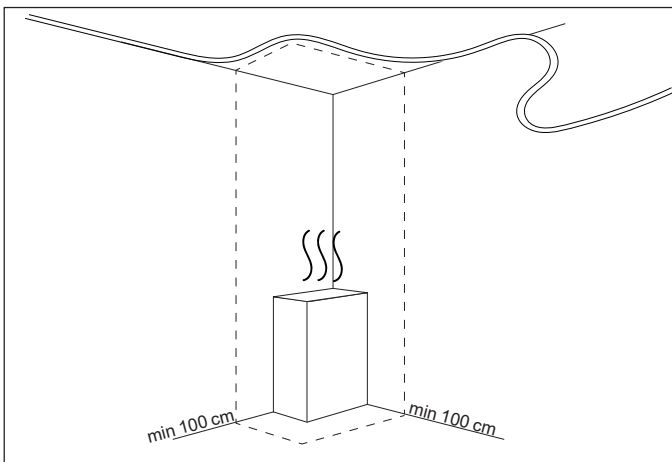


### General

This 6 m LED strip can be used to build your own custom light in the sauna, from floor to ceiling. It is dot-less, like a neon tube. It comes connected with 2 m silicone cords in both ends, so it can be cut into two LED strips. The lengths are decided by you. The power is 6 W/meter. The LED driver is not dimmable, input 220-240 AC, output 12 VDC 60 Watt.

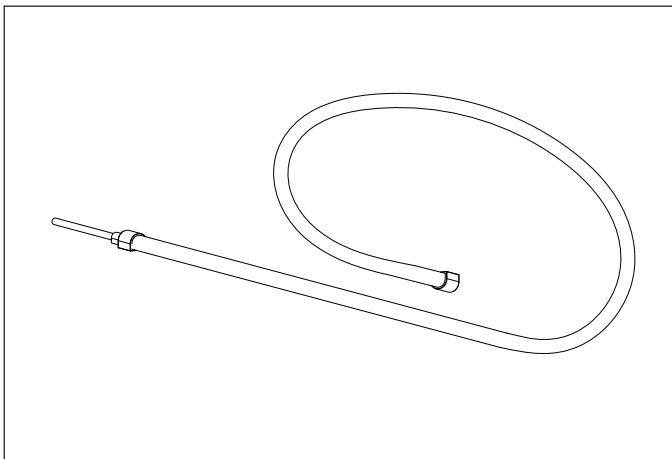
### Placement

You can mount the light from floor to ceiling. Vertical or horizontal. Keep 100 cm free space around the heater.



### Bending

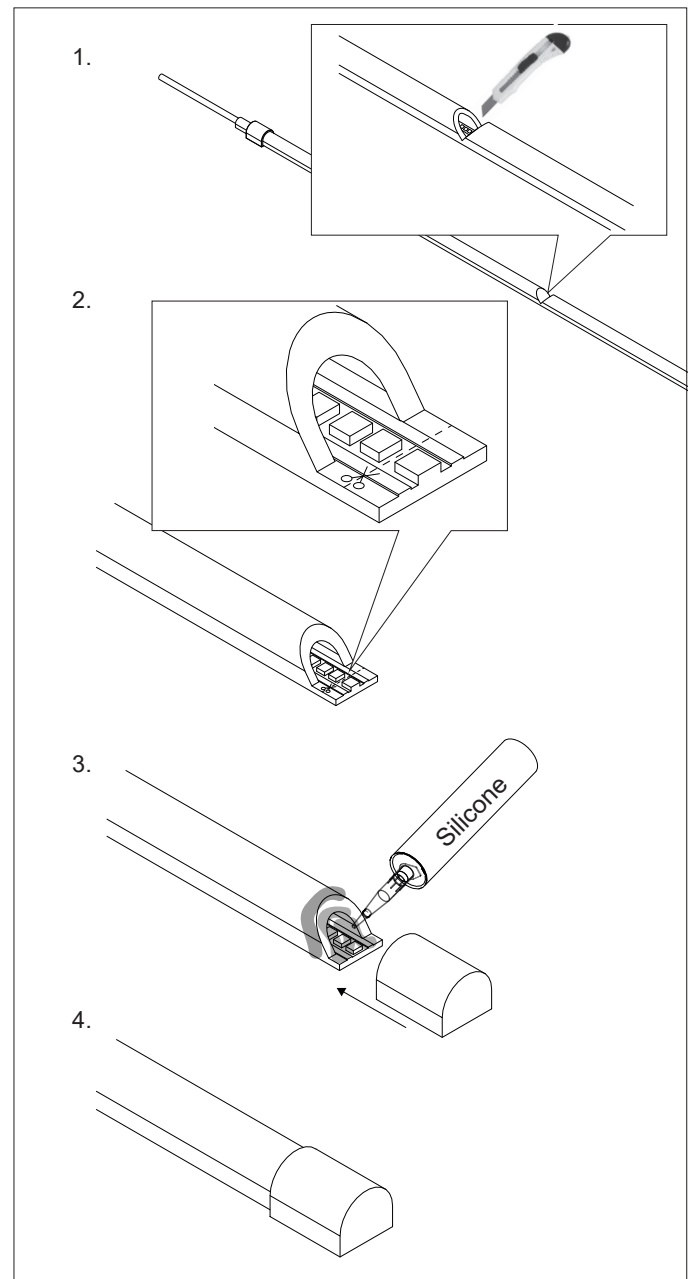
The LED strip can bend in one direction. Think to use soft corners.



### Cut-able

The LED strip is cut-able.

1. Start with to make a cut with a knife. Bend the silicone apart to look for a symbol of a pair of scissors
2. Make the cut on the marking
3. Put silicone at the end
4. Put on an end cap to seal the LED Strip.



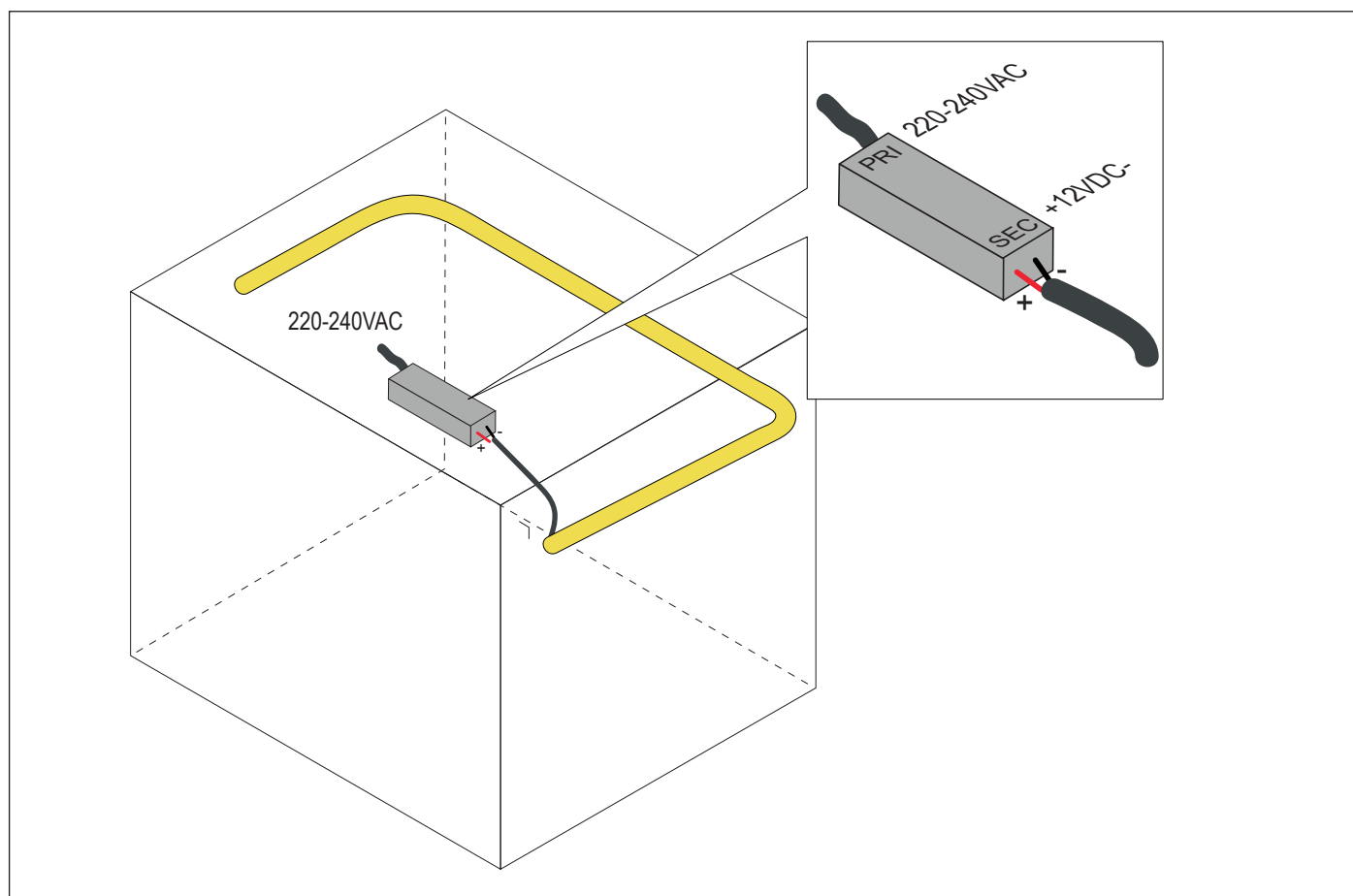
## Mounting

You can mount it in many different ways. Here is a couple of examples.

1. Fasten the LED strip with the included silicone straps
2. Order Tylös special made black aluminum profile to fit the Neon LED strip in straight lines.
3. Or be creative and create some new and great sauna light concepts.

## Electrical Connection

Place the Constant Voltage 12 V DC LED Driver outside the Sauna (the wall/roof)( $T_a=40$  degrees Celsius) or in a protected (IP44) box low under the bench. Connect the LED Strip, red (+) and black (-) to the constant voltage 12 V DC LED driver + and -.



**TYLÖ**

*For other languages please contact [marketing@sauna360.com](mailto:marketing@sauna360.com)*